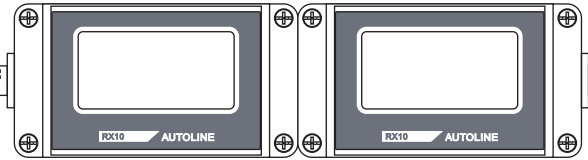
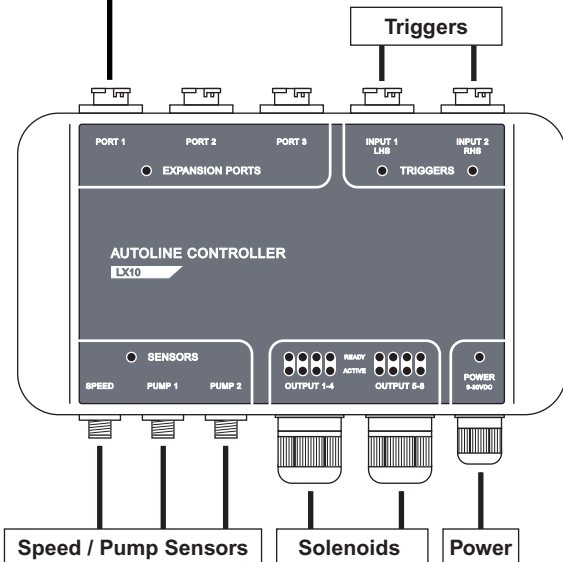


The VX10 Vehicle-Mount PC must connect to Expansion Port 1 of the LX10 Controller.



Other peripheral devices can be connected to any Expansion Port (e.g. RX10 Remote Readouts and SX10/11 Smartswitches).

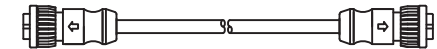
Multiple devices can also be connected to the same Expansion Port through the use of Y-cables for interconnect.



IMPORTANT NOTES:

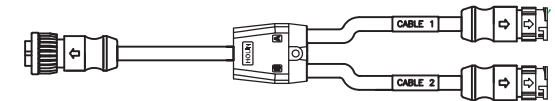
1. Disconnect power when making wiring connections.
2. Extension cables, Y-cables, and Field Connectors are available.

Expansion Port & Trigger Cables



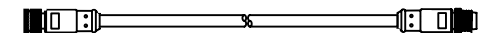
6F-6F Trigger Cable (P/N: RP-136-XM)
Standard lengths 2m / 4m / 6m

10F-10F Expansion Port Cable (P/N: RP-138-XM)
Standard lengths 1m / 2m / 4m / 6m



6P F/M/M Trigger Y-Cable P/N: RP-154)
10P F/M/M Expansion Port Y-Cable (P/N: RP-153)

Sensor Cables



3M-3F Cable (P/N: RP-109-XM)
Standard lengths 2m / 4m / 6m



System Layout Diagram (NZ01)

Revision: 02

Date: 26-10-2012